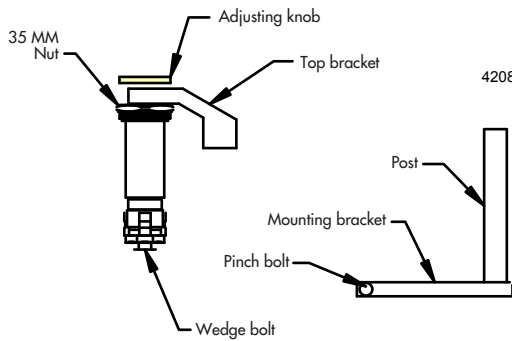


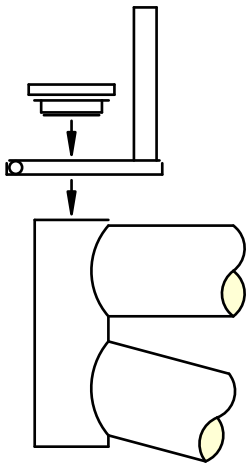
# hopey *The best bicycle steering damper in the world!*

4208 Glasgow Rd. Valencia, PA 16059 Ph. (724) 449-9305 Fax (724) 449-9306 e-mail timhopey@sgi.net www.hopey.org



## DISCLAIMER:

Hopey LLC. is not responsible for any bicycle damage or personal injury resulting from the installation, removal, or use of this product. Be sure to adhere to all pertinent bicycle component manufacturers specifications. Installation must be performed by a professional bicycle mechanic.

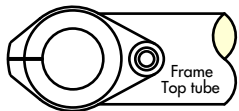
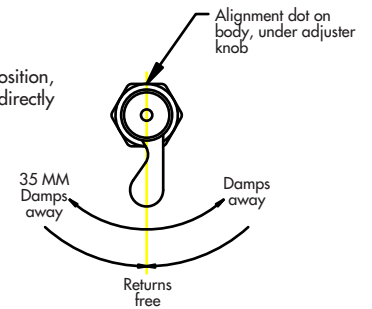


1. Remove star nut from inside steer tube: Do not drive star nut down thru steer tube.
2. Remove all part necessary to remove top headset cup.
3. Remove top headset cup
4. Place mounting bracket around flange of the top cup. Do not tighten mounting bracket pinch bolts until bearings have been preloaded.
5. Press headset cup back into the headtube.

1

4

11. Verify damper cartridge is in the center position, dot on cartridge (under adjuster knob) is directly across from top bracket.

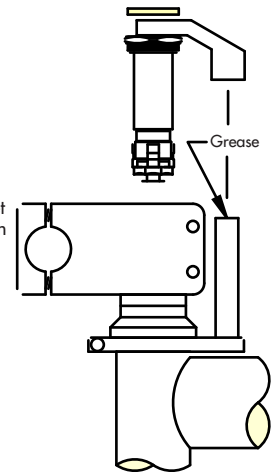


6. Align the mounting bracket over the center of the top tube as shown.

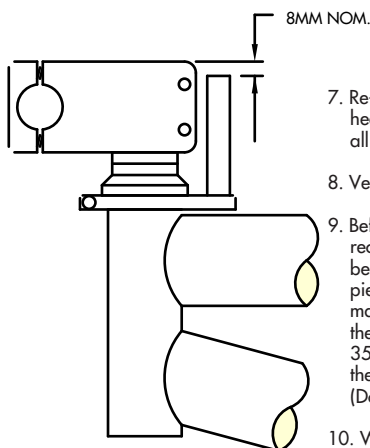
2

5

12. Place damper into steer tube, making sure the top bracket engages the post as shown.
13. With the forks pointing straight, tighten damper cartridge from underneath using a 12MM socket (tightening torque 18-24 FT. LBS.) As you tighten cartridge, it will pull downward. **YOU MUST ALLOW THE CARTRIDGE TO PULL DOWNWARD.** Otherwise, the headset bearings may come loose, or the headset bearings can be overloaded.



14. Tighten 35MM nut against the top of the stem 1/8 turn.



7. Re-assemble all parts that go above top headset cup (spacers, stem, etc.) Make sure all pinch bolts are left loose.
8. Verify/cut post to length as shown.
9. Before installing damper cartridge we recommend pre-loading the headset bearings using a bearing press or a simple piece of all thread. Please reference bearing manufacturers preload recommendations. If these tools are not available you can use the 35MM damping cartridge nut to preload the bearings after the cartridge is installed. (Do not over tighten and crush bearings)
10. While bearings are held loaded, align front end components and tighten all pinch bolts.

3

6

15. Verify that center position of the damper and forks correspond.
16. Verify that damper provides damping turning away from center and is free returning. If "center" position is not correct, then loosen cartridge turn slightly and repeat steps 13 and 14.
17. Verify that all bolts and components are tight before riding.
18. Test ride to ensure damper and headset remain tight.
19. Have fun!!

